

REACH STACKER RSD 4520TL

LIFTING CAPACITY with toplift (spreader)

	RSD4520-5TL
1 st. row, 2,0 m	45t,4 high
2 nd row, 3,85 m	24t,5 high
3 rd row, 6,4 m	31t,3 high
	27t,4 high
	16t,3 high

VEHICLE WEIGHT

	Unloaded	Loaded (41t)
With toplift (TL)		
front/kg	34000	94500
rear/kg	37000	17500
total/	71000	112000

LIFTING HEIGHT

Under twistlocks/m	
RSD 4520-5	14,7

PERFORMANCE

Lifting speed	
loaded/unloaded m/s	0.20/0.22 appr.
Lowering speed	
loaded/unloaded m/s	0.25/0.20 appr.
Travel speed	
loaded/unloaded km/h	22/25 appr.
Gradeability	
loaded/unloaded %	20/34 appr.

DIMENSIONS

Transport height/mm	4400
Transport length/mm	11120 (with spreader)
Width /mm	4200
Turning radius /mm	8250 appr.

ENGINE

Make-model	Cummins LTA10C
Type	4-stroke diesel, turbocharged
Displacement/l	10.0
Power DIN 6270B	200 kW (278 hp) at 2100 r/min
Max. torque/Nm	1280
No. of cylinders	6
Compression ratio	16,3
Generator	75A/24V
Equipment	Dry air cleaner, double fuel filter

TRANSMISSION

Make-model	Clark 34000-series
Clutch type	Torque converter
Gear box	Power Shift
No. of gear	4-4
Gear shifting	
Electric	24V

AXLES

Front axle	Planetary driving axle, with hub reduction
Rear axle	Valmet steering axle, with 2 steering cylinders

BRAKES

Service brakes	Wet multidisc brakes on the drive axle
Parking brake	Dry spring actuated disc brake on the drive line

WHEELS

Front	18.00-33 40 PR
Rear	18.00-33 40 PR

HYDRAULIC SYSTEM

Pumps	Two twin intra vane pumps
System pressure	210 bar
Control valves	Loadsensing proportional valves for the boom
Filtering	10-micron return line filter
Tank capacity	500 l

OPERATORS CAB

Heavy steel construction with a roof window, effectively sound insulated Sliding movement 1850 mm, controlled from the drivers cab.
Adjustable seat with damping
Effective heater/ defroster with suction air filtering
Windshield wipers and washers on front, rear and roof windows.
Controls for the engine, boom and spreader.

BOOM

Welded steel construction with square cross section, telescoping type
Lifting angle 0...60 deg.
Lifting cylinders Two cylinders, equipped with safety valves

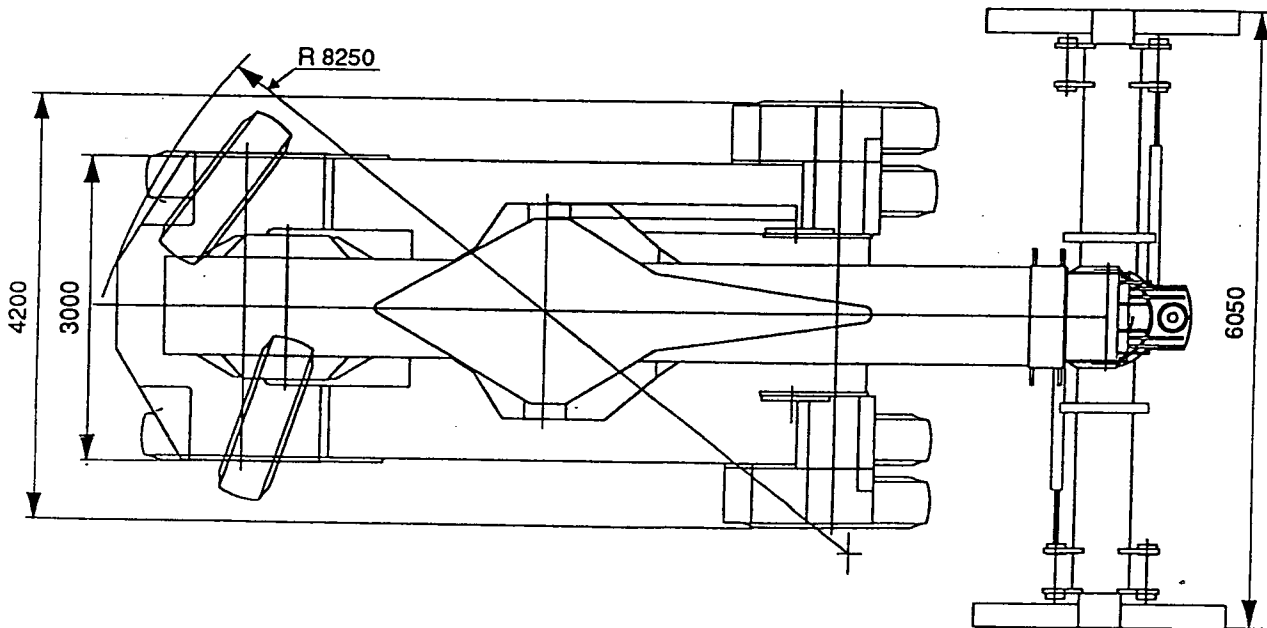
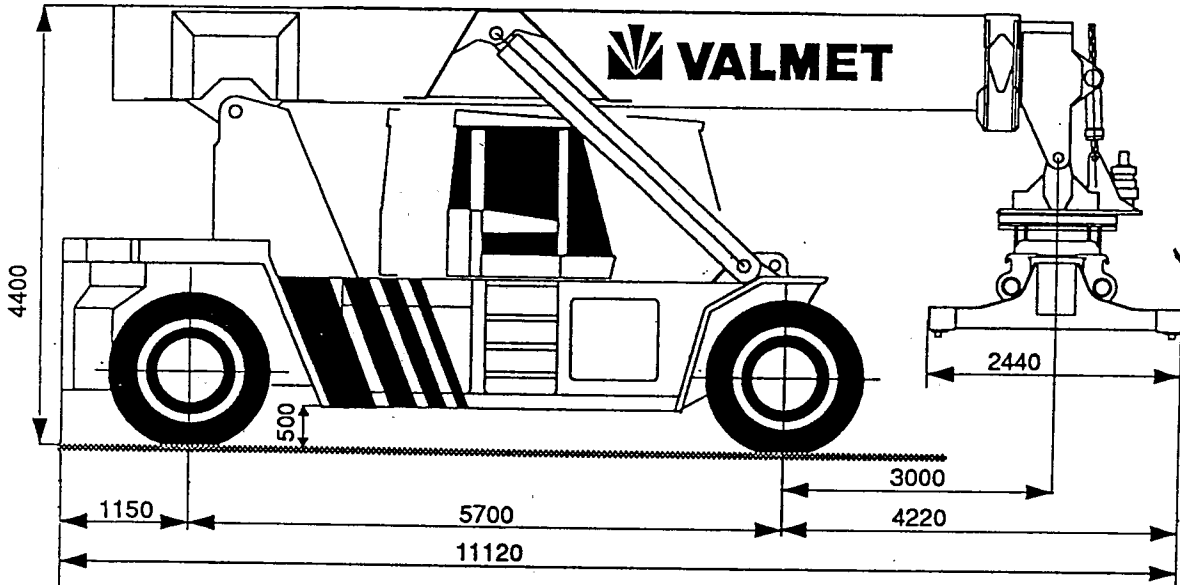
SPREADER

Hydraulically adjustable for ISO and Sealand 20', 30', 35' and 40' containers.
Welded steel construction with square cross section two telescopic extensions on both sides
Rotation +200° /- 100°
Sideshift +/- 800mm
Tilting +/- 4 deg. free tilting
Damping with hydraulic Twist locks, with safety devices

STANDARD EQUIPMENT

Gauges: Hour meter, fuel and engine temperature
Indicator lights: Charging, engine temperature and oil pressure, transmission temperature and pressure, brake system pressure, parking brake, gear disengagement, driving lights, head lights, turn signals.
Lights: Driving lights, turning signals, cab light, working lights on the boom (4), backing lights
Warning: Flashing lights (2) on the boom, horn
Stability control: Electronic overload control system
Fire extinguisher: 6kg
Other: Engine block heater (220 V), mirrors

**VALMET
REACH STACKER
RSD 4520**



RSD 4520 - TL

